

Miniature Circuit Breakers

BK63HU / BK63H



Miniature Circuit Breakers

BK63HU UL489 MCB

- Pole : 1P, 2P, 3P
- Rated current : 1~63A
- Curve : B, C, D, K
- Rated short current : 10kA
- Accessory : AX, AL, SHT, UVT



BK63HU 1P



BK63HU 2P



BK63HU 3P

Ratings

| Performance | UL489 MCB | |
|--------------------------------------|---|---|
| Standard | UL489, UL486E(Lug) | |
| Protection | Overload, short circuit | |
| Rated current | 1, 2, 3, 4, 5, 6, 8, 10, 15, 16, 20, 25, 30, 32, 40, 50, 63A | |
| Number of poles | 1P, 2P, 3P | |
| Rated short circuit capacity | AC | DC |
| | 1P : 10kA@120/240VAC, 10kA@277VAC (1~25A) 10kA@120/240VAC(30~63A) 2P, 3P : 10kA@240VAC, 480Y/277VAC(1~25A) 10kA@240VAC(30~63A) | 1P : 10kA@60VDC 2P, 3P : 10kA@125VDC |
| Rated frequency | 50/60 Hz | |
| Reference temperature | 40°C | |
| Normal ambient temperature | -5 ~ 40°C | |
| Tripping curve | B, C, D, K curve | |
| Trip type | Thermal magnetic | |
| Type of terminals | Terminal with stirrup (Indirect pressure) | |
| Terminal size acceptability-min/max | 14 / 4AWG | |
| Tightening torque | 3.9 Nm (35 lbf-in) | |
| Installation | Mounting on 35mm DIN rail | |
| Dimension of specimen (W×H×D) | 18×105×66 (1P) | |
| Protection degree | IP20 | |
| Accessory | AX-HU, AL-HU, SHT-HU, UVT-HU | |
| Relative humidity | 45~85%RH | |
| Electrical endurance | 6,000 | |
| Maximum switching frequency (Time/h) | 360/h | |
| Approvals | UL, CB, ABS | |

BK63H UL1077 MCB

Miniature Circuit Breakers

- Pole : 1P, 2P, 3P, 4P
- Rated current : 1~63A
- Curve : B, C, D
- Rated short current : 10kA
- Accessory : AX, AL, SHT, UVT

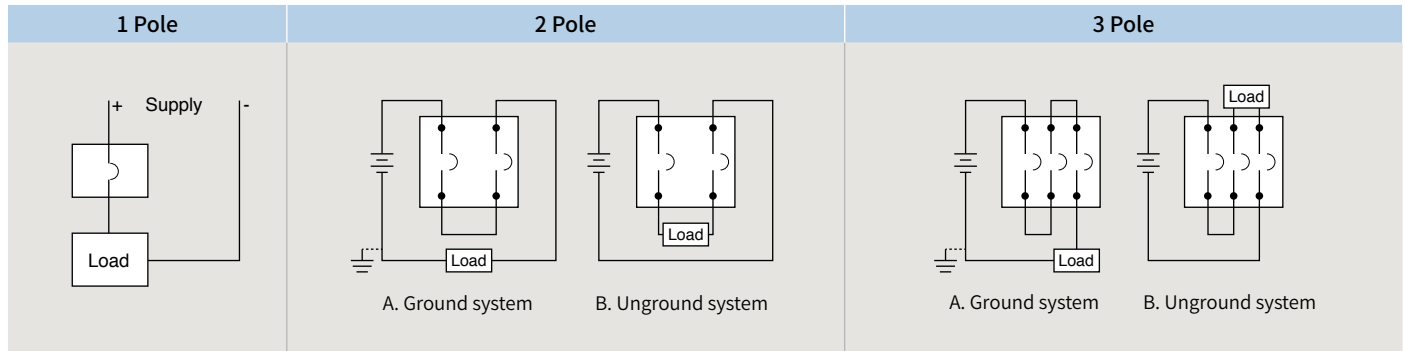


Ratings

| Performance | UL1077 MCB | |
|--------------------------------------|--|--|
| Standard | UL 1077 | |
| Protection | Overload, short circuit | |
| Rated current | 1, 2, 3, 4, 5, 6, 8, 10, 15, 16, 20, 25, 30, 32, 40, 50, 63A | |
| Number of poles | 1P, 2P, 3P, 4P | |
| Rated short circuit capacity | AC | DC |
| | 1P : 10kA@120/240VAC 6kA@277VAC 2P~4P : 10kA@120/240VAC 6kA@480Y/277VAC | 1P : 10kA@60VDC 2P~4P : 10kA@125VDC |
| Rated frequency | 50/60 Hz | |
| Reference temperature | 40°C | |
| Normal ambient temperature | -5 ~ 40°C | |
| Tripping curve | B, C, D curve | |
| Trip type | Thermal magnetic | |
| Type of terminals | Terminal with stirrup (Indirect pressure) | |
| Terminal size acceptability-min/max | 14 / 4AWG | |
| Tightening torque | 2Nm (17.5 lbf-in) | |
| Installation | Mounting on 35mm DIN rail | |
| Dimension of specimen (W×H×D) | 18×81×66 (1P) | |
| Protection degree | IP20 | |
| Accessory | AX-H, AL-H, SHT-H, UVT-H | |
| Relative humidity | 45~85%RH | |
| Electrical endurance | 6,000 | |
| Maximum switching frequency (Time/h) | 360/h | |
| Approvals | UL, CB, ABS | |

Accessory / Circuit diagrams (BK63HU)

Exemplary DC circuit diagrams (BK63HU)



UL489 accessory

| Type | AX-H | AL-H |
|------------------|---|------|
| Appearance | | |
| Rating | AC circuit 6A at 240VAC 3A at 415VAC DC circuit 1A at 110VDC 2A at 48VDC | |
| Contact | | |
| Dimension(W×H×D) | 9 × 105 × 66 | |

| Type | SHT-HU | UVT-HU |
|----------------------|---------------------------|---|
| Appearance | | |
| Control voltage [Ue] | AC 110~380V DC 60~220V | AC 110~120V AC 220~240V AC 380~415V |
| Operation voltage | 80~110% Ue | - |
| Trip voltage | - | 35~70% Ue |
| Dimension(W×H×D) | 18 × 105 × 66 | |

UL1077 accessory

| Type | AX-H | AL-H |
|------------------|--|------|
| Appearance | | |
| Rating | AC circuit 6A at 240VAC 3A at 415VAC DC circuit 1A at 110VDC | |
| Contact | | |
| Dimension(W×H×D) | 9 × 81 × 66 | |

| Type | SHT-H | UVT-H |
|----------------------|---------------------------|---|
| Appearance | | |
| Control voltage [Ue] | AC 110~380V DC 60~220V | AC 110~120V AC 220~240V AC 380~415V |
| Operation voltage | 80~110% Ue | - |
| Trip voltage | - | 35~70% Ue |
| Dimension(W×H×D) | 18 × 81 × 66 | |

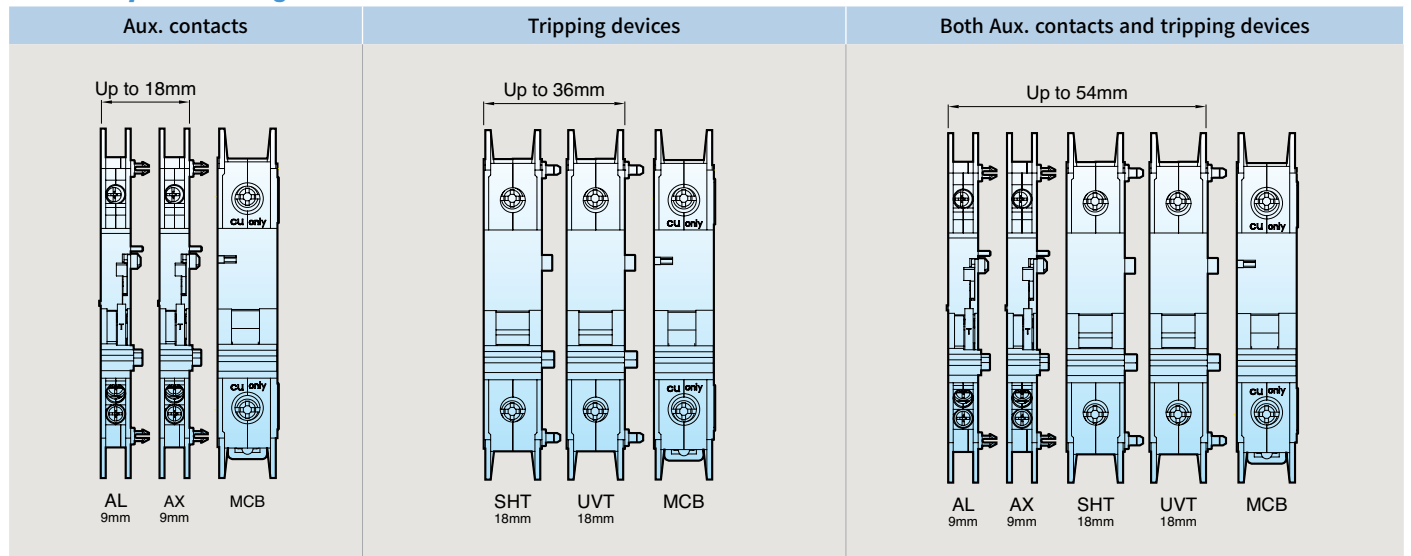
Numbering system / Accessory connecting

UL 489/1077 MCB

| | | | | | | | | |
|---------------|------------|--------------------------|----------------------|--------------------------------------|---|-------------|---|-----------------|
| BK | 63H | U | 1P | B | 63A | 10kA | 240VAC | UL489 |
| Series | AF | Standard | Pole | Type | A | kA | Rated voltage | Standard |
| MCB | 63 | U UL489 UL1077 | 1P 2P 3P 4P | B-Type C-Type D-Type K-Type | 1, 2, 3, 4, 5, 6, 8, 10, 15, 16, 20, .25, 30, 32, 40, 50, 63 | 6 10 | 120/240VAC 240VAC 277VAC 480Y/277VAC | UL489 UL1077 |

| | | |
|--------------------------------------|---------------------------|-------------------------|
| AX | H | UL1077 |
| Accessory | Applicable product | Applied standard |
| AX Auxiliary switch | H (UL1077) BK63H | UL1077 UL1077 |
| AL Alarm switch | HU (UL489) BK63HU | UL489 UL489 |
| SHUT Shunt trip device | | |
| UVT Under voltage trip device | | |

Accessory connecting

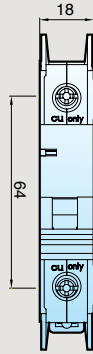
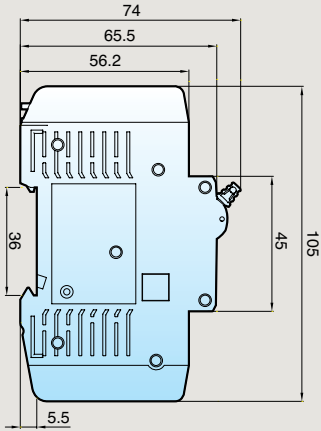


Miniature Circuit Breakers

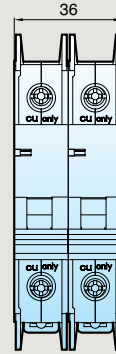
Dimension / Operating curve

UL489 MCB

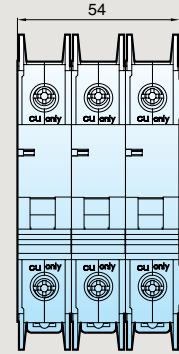
BK63HU



1P : 130g

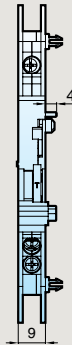
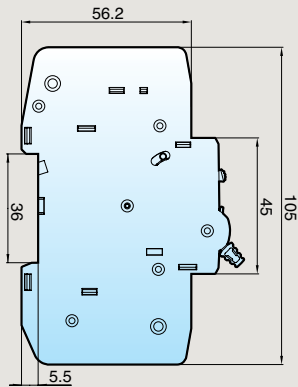


2P : 260g

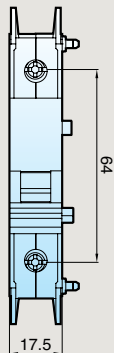
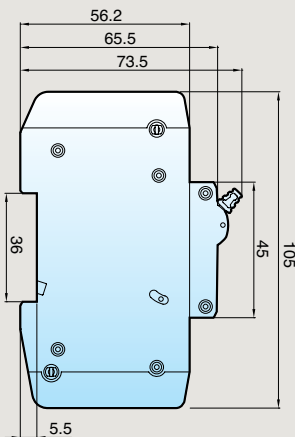


3P : 390g

AX-HU/AL-HU



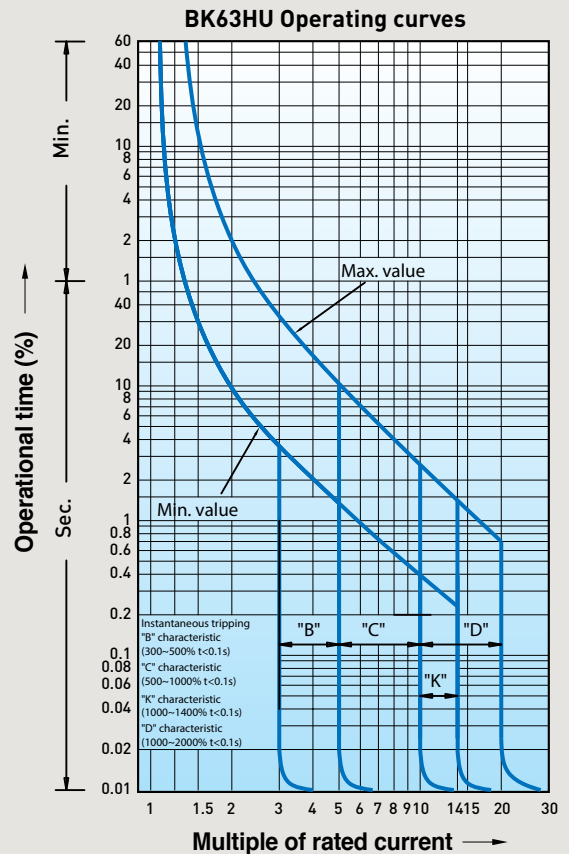
SHT-HU/UVT-HU



SHT : 100g / UVT : 110g

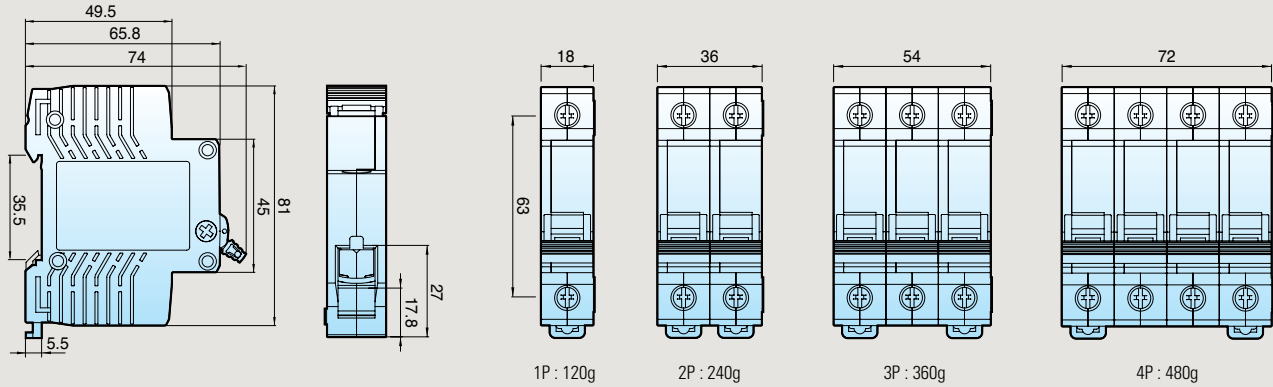
AX : 48g / AL : 48g

UL489 MCB operating curve

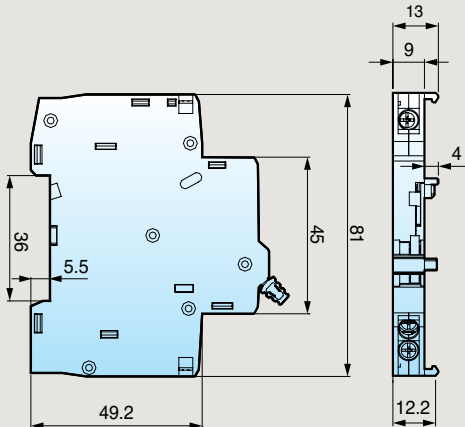


UL1077 MCB

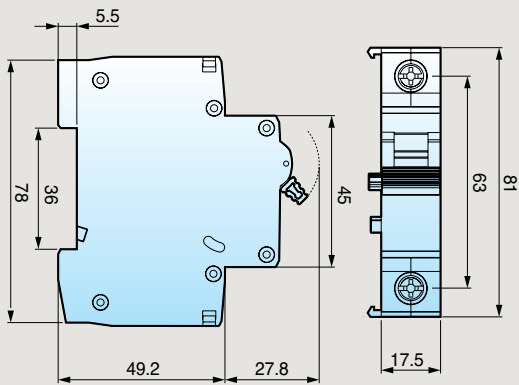
BK63H



AX-H/AL-H



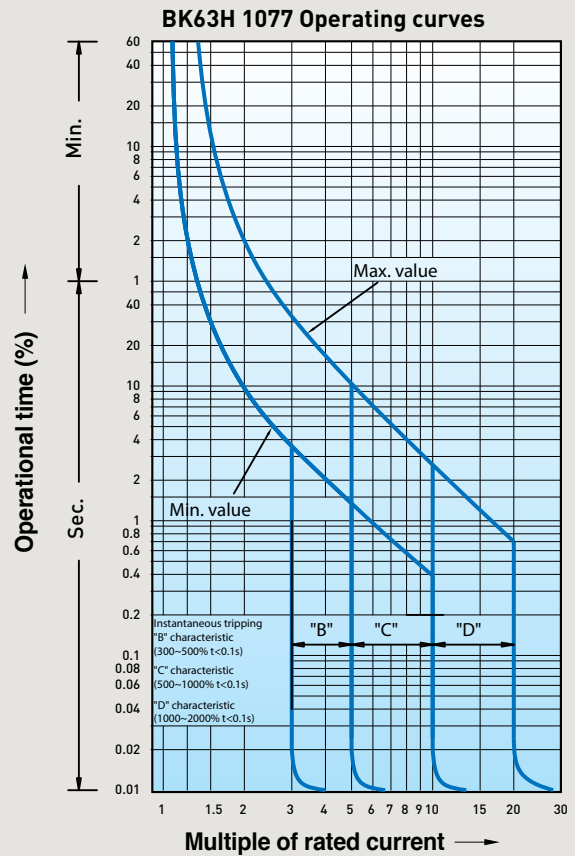
SHT-H/UVT-H



SHT : 100g / UVT : 110g

AX : 48g / AL : 48g

UL 1077 MCB operating curve



Accessory (Locking device)

| Code | Name | ea |
|----------|----------------|-------------|
| 06410096 | Locking device | 1set (12ea) |



| Type | UVT-H |
|--|---|
| <p>* Press button and insert into the handle</p> | <p>• Lock: Ø7.0 • Weight: Not less than 120g • Do not pull over by 10kg, for more</p> |



• According to The WEEE Directive, please do not discard the device with your household waste.



Susol UL MCCB



www.lselectric.co.kr

■ LS ELECTRIC America Inc. (Chicago, USA)

980 Woodlands Parkway, Vernon Hills, IL 60061
Tel: 1-800-891-2941 E-Mail: sales.us@lselectricamerica.com

■ Headquarter

LS-ro 127(Hogye-dong) Dongan-gu, Anyang-si, Gyeonggi-Do, 14119, Korea

■ Seoul Office

LS Yongsan Tower, 92, Hangang-daero, Yongsan-gu, Seoul, 04386, Korea
Tel: 82-2-2034-4916, 4684, 4429

■ Overseas Subsidiaries

• LS ELECTRIC Japan Co., Ltd. (Tokyo, Japan)

Tel: 81-3-6268-8241 E-Mail: jschuna@lselectric.biz

• LS ELECTRIC (Dalian) Co., Ltd. (Dalian, China)

Tel: 86-411-8730-5872 E-Mail: jiheo@lselectric.com.cn

• LS ELECTRIC (Wuxi) Co., Ltd. (Wuxi, China)

Tel: 86-510-6851-6666 E-Mail: sblee@lselectric.co.kr

• LS ELECTRIC Vietnam Co., Ltd.

Tel: 84-93-631-4099 E-Mail: jhchoi4@lselectric.biz (Hanoi)
Tel: 84-28-3823-7890 E-Mail: sjbaik@lselectric.biz (Hochiminh)

• LS ELECTRIC Middle East FZE (Dubai, U.A.E.)

Tel: 971-4-886-5360 E-Mail: hschoib@lselectric.biz

• LS ELECTRIC Europe B.V. (Hoofddorp, Netherlands)

Tel: 31-20-654-1424 E-Mail: europartner@lselectric.biz

■ Overseas Branches

• LS ELECTRIC Tokyo Office (Japan)

Tel: 81-3-6268-8241 E-Mail: jschuna@lselectric.biz

• LS ELECTRIC Beijing Office (China)

Tel: 86-10-5095-1631 E-Mail: chendm@khpaek.com.cn

• LS ELECTRIC Shanghai Office (China)

Tel: 86-21-5237-9977 E-Mail: khpaek@lselectric.com.cn

• LS ELECTRIC Guangzhou Office (China)

Tel: 86-20-3818-2883 E-Mail: chenxs@lselectric.com.cn

• LS ELECTRIC Chengdu Office (China)

Tel: 86-28-8670-3201 E-Mail: yangcf@lselectric.com.cn

• LS ELECTRIC Qingdao Office (China)

Tel: 86-532-8501-2065 E-Mail: wangzy@lselectric.com.cn

• LS ELECTRIC Nanjing Office (China)

Tel: 86-25-8467-0005 E-Mail: ylong@lselectric.com.cn

• LS ELECTRIC Bangkok Office (Thailand)

Tel: 66-90-950-9683 E-Mail: sjleet@lselectric.biz

• LS ELECTRIC Jakarta Office (Indonesia)

Tel: 62-21-2933-7614 E-Mail: ylee@lselectric.biz

• LS ELECTRIC Moscow Office (Russia)

Tel: 7-499-682-6130 E-Mail: jdpark1@lselectric.biz

• LS ELECTRIC America Western Office (Irvine, USA)

Tel: 1-949-333-3140 E-Mail: jwyun@lselectricamerica.com